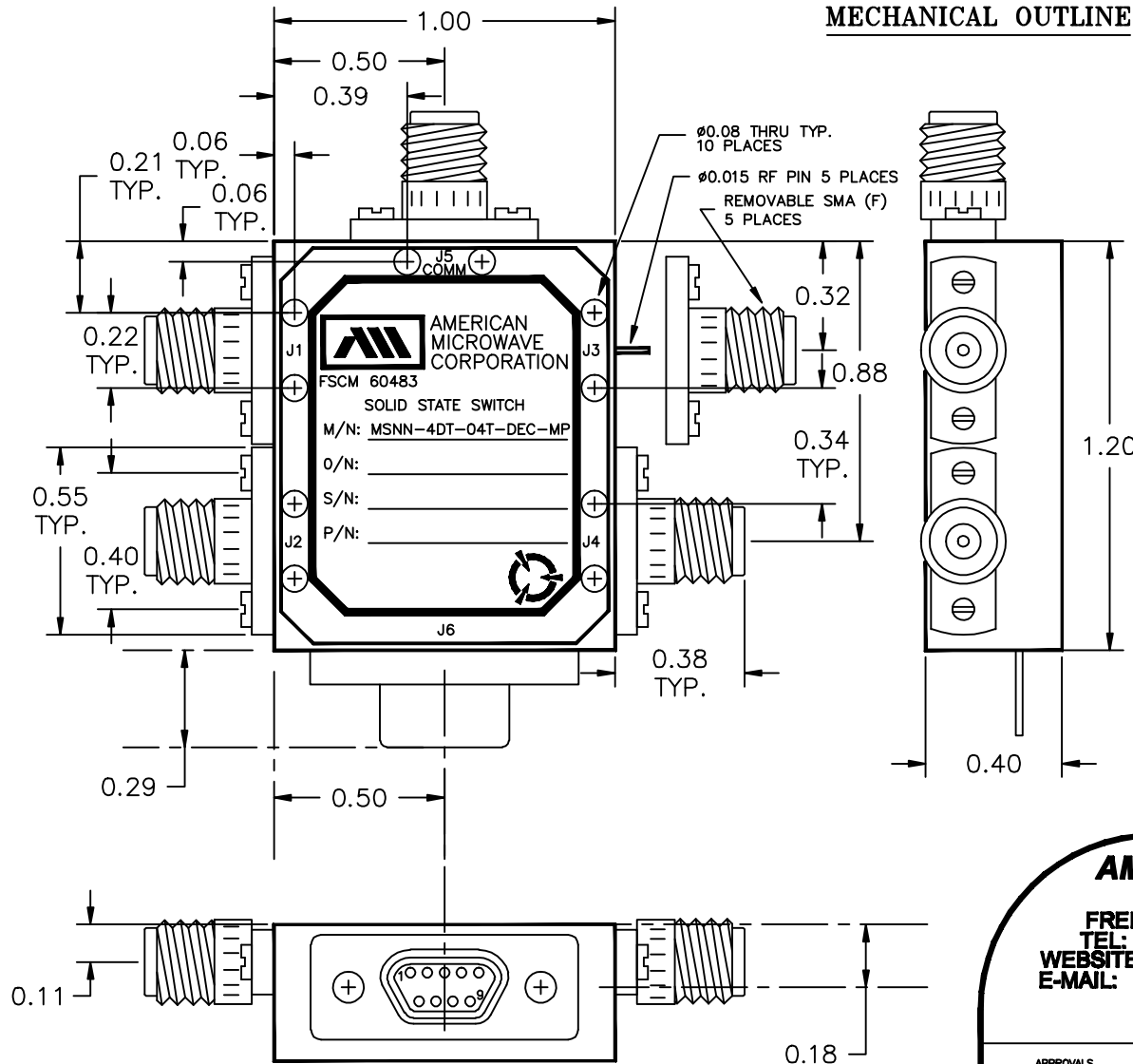


DESCRIPTION

AMC MODEL MSNN-4DT-04T-DEC-MP IS AN ABSORPTIVE/NON-REFLECTIVE SINGLE POLE FOUR THROW SWITCH DESIGNED TO OPERATE BETWEEN THE 0.5 GHz TO 18 GHz FREQUENCY RANGE.

REVISIONS				
ZONE	REV.	DESCRIPTION	DATE	APPROVED
-	-	ORIGINAL RELEASE JOB# 607140-2PE	10/20/06	

MECHANICAL OUTLINE



ALL DIMENSIONS ARE IN INCHES
 TOLERANCES:
 X.XX ±0.020
 X.XXX ±0.010

AMERICAN MICROWAVE CORPORATION

7311-G GROVE ROAD
 FREDERICK, MARYLAND 21704 USA
 TEL: 301-662-4700 FAX: 301-662-4938
 WEBSITE: www.americammicrowavecorp.com
 E-MAIL: sales@americammicrowavecorp.com
 ISO 9001:2000 CERTIFIED



APPROVALS		DATE	TITLE		
DRAWN <i>PRB</i>		10/20/06	MECHANICAL OUTLINE MSNN-4DT-04T-DEC-MP		
REDRAWN			SIZE	FSCM NO.	DWG NO.
			A	60483	100-4388-008
ISSUED			SCALE	N:S	SHEET 2 OF 4

DESCRIPTION

AMC MODEL MSNN-4DT-04T-DEC-MP IS AN ABSORPTIVE/NON-REFLECTIVE SINGLE POLE FOUR THROW SWITCH DESIGNED TO OPERATE BETWEEN THE 0.5 GHz TO 18 GHz FREQUENCY RANGE.

SPECIFICATIONS

- FREQUENCY RANGE: 0.5 GHz TO 18 GHz
- INSERTION LOSS: 4.5 dB MAXIMUM
- ISOLATION: 0.5 GHz TO 2 GHz 60 dB MINIMUM
2 GHz TO 18 GHz 70 dB MINIMUM
- VSWR: ABSORPTIVE IN/OUT: 2.0:1
ABSORPTIVE OUT/OFF: 2.0:1
- SPEED: RISE: 1 uSec MAXIMUM(10%-90% RF)
FALL: 1 uSec MAXIMUM(90%-10% RF)
- POWER HANDLING: 0 dBm MAXIMUM
- CONTROL: TRUTH TABLE

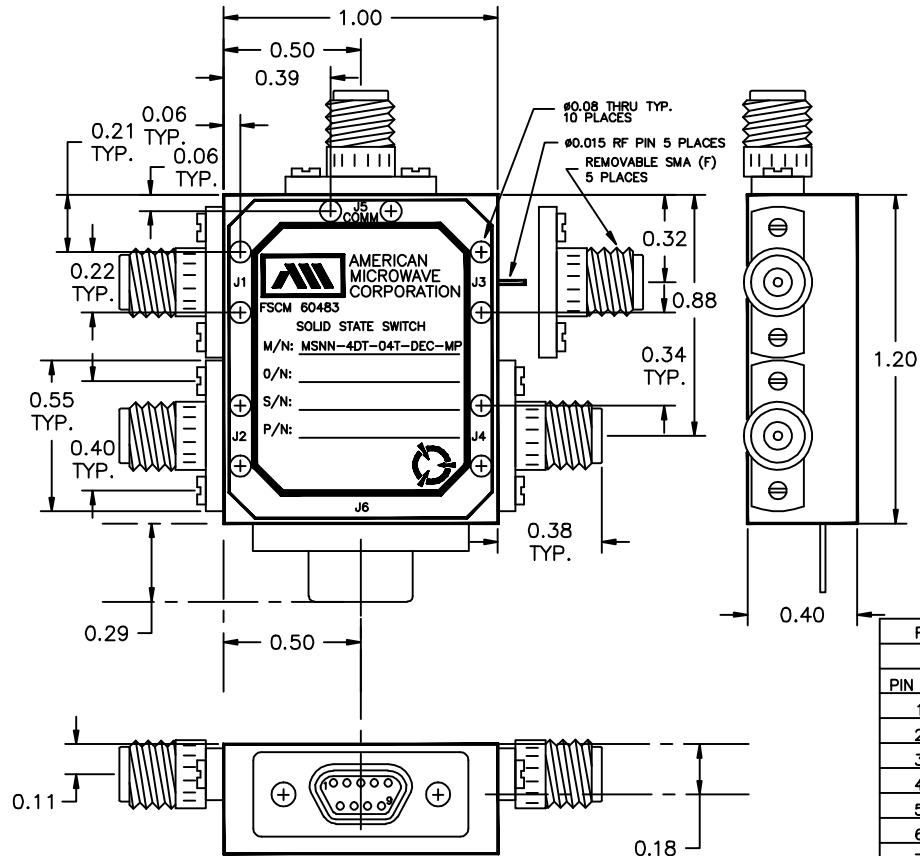
LOW LOSS PORT	TTL INPUT LEVEL (NOTE: 1=H, 0=L)	
	E2	E1
J1	0	0
J2	0	1
J3	1	0
J4	1	1

- POWER SUPPLY: +5V @ 400 mA MAXIMUM
-5V @ 100 mA MAXIMUM
- CONNECTORS:
RF: SMA FEMALE
CONTROL: 9 PIN DB MULTI-PIN
- OPERATING TEMPERATURE: -20°C TO +70°C
- IMPEDANCE: 50 OHMS
- SIZE: 1.00" (L) x 0.70" (W) x 0.40" (H)

ENVIRONMENTAL RATINGS:

- TEMPERATURE: -55°C TO +85°C (OPERATING)
-65°C TO +125°C (STORAGE)
- HUMIDITY: MIL-STD-202F, METHOD 103B COND. B
- SHOCK: MIL-STD-202F, METHOD 213B COND. B
- VIBRATION: MIL-STD-202F, METHOD 204D COND. B
- ALTITUDE: MIL-STD-202F, METHOD 105C COND. B
- TEMPERATURE CYCLE: MIL-STD-202F, METHOD 107D COND. A

NOTE: SPECIFICATIONS WILL VARY OVER OPERATING TEMPERATURE
NOTE: THE ABOVE SPECIFICATIONS ARE SUBJECT TO CHANGE OR REVISION



PIN OUT TABLE	
MP-IND	
PIN NO.	FUNCTION
1	E1
2	E2
3	NC
4	NC
5	NC
6	GND
7	+V
8	-V
9	GND

M/N: = MODEL NUMBER
O/N: = OPTION NUMBER
S/N: = SERIAL NUMBER
P/N: = PART NUMBER

ALL DIMENSIONS ARE IN INCHES
TOLERANCES:
X.XX ±0.020
X.XXX ±0.010

REVISIONS				
ZONE	REV.	DESCRIPTION	DATE	APPROVED
-	-	ORIGINAL RELEASE	JOB# 607140-2PE	10/20/06

AMERICAN MICROWAVE CORPORATION

7311-G GROVE ROAD
FREDERICK, MARYLAND 21704 USA
TEL: 301-662-4700 FAX: 301-662-4938
WEBSITE: www.americanmicrowavecorp.com
E-MAIL: sales@americanmicrowavecorp.com
ISO 9001:2000 CERTIFIED



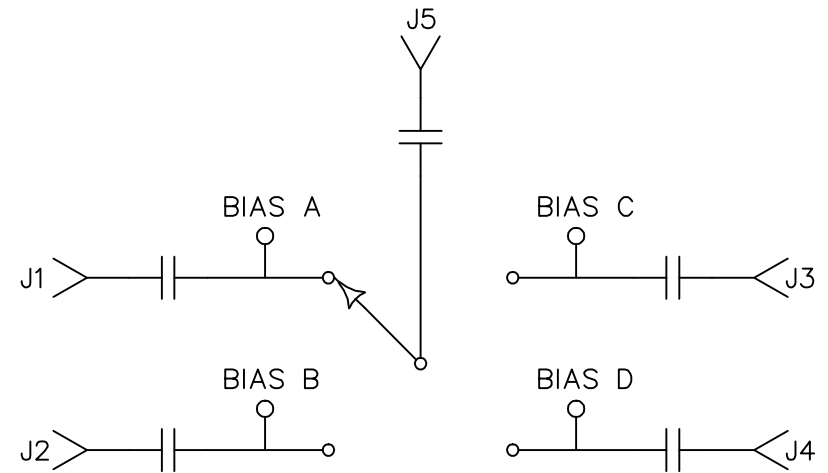
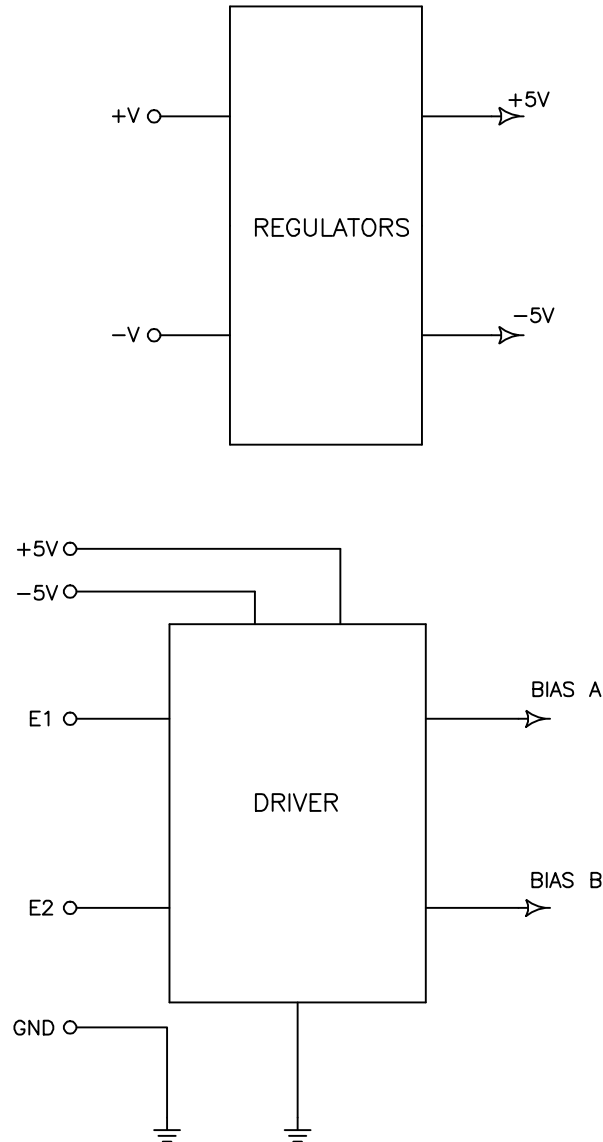
APPROVALS		DATE	TITLE	
DRAWN <i>PRB</i>		10/20/06	PRODUCT FEATURE MSNN-4DT-04T-DEC-MP	
REDRAWN			SIZE	FSCM NO.
ISSUED			A	60483
			DWG NO.	100-4388-008
			SCALE	N:S
			SHEET	1 OF 4

DESCRIPTION

AMC MODEL MSNN-4DT-04T-DEC-MP IS AN ABSORPTIVE/NON-REFLECTIVE SINGLE POLE FOUR THROW SWITCH DESIGNED TO OPERATE BETWEEN THE 0.5 GHz TO 18 GHz FREQUENCY RANGE.

REVISIONS				
ZONE	REV.	DESCRIPTION	DATE	APPROVED
	-	ORIGINAL RELEASE JOB# 607140-2PE	10/20/06	

FUNCTIONAL BLOCK DIAGRAM



CONFIDENTIAL AND PROPRIETARY

AMERICAN MICROWAVE CORPORATION

7311-G GROVE ROAD
 FREDERICK, MARYLAND 21704 USA
 TEL: 301-662-4700 FAX: 301-662-4938
 WEBSITE: www.americamicrowavecorp.com
 E-MAIL: sales@americamicrowavecorp.com
 ISO 9001:2000 CERTIFIED



APPROVALS		DATE	TITLE		
DRAWN <i>PRB</i>		10/20/06	FUNCTIONAL BLOCK DIAGRAM MSNN-4DT-04T-DEC-MP		
REDRAWN			SIZE	FSCM NO.	DWG NO.
ISSUED			A	60483	100-4388-008
SCALE N:S			SHEET		3 OF 4